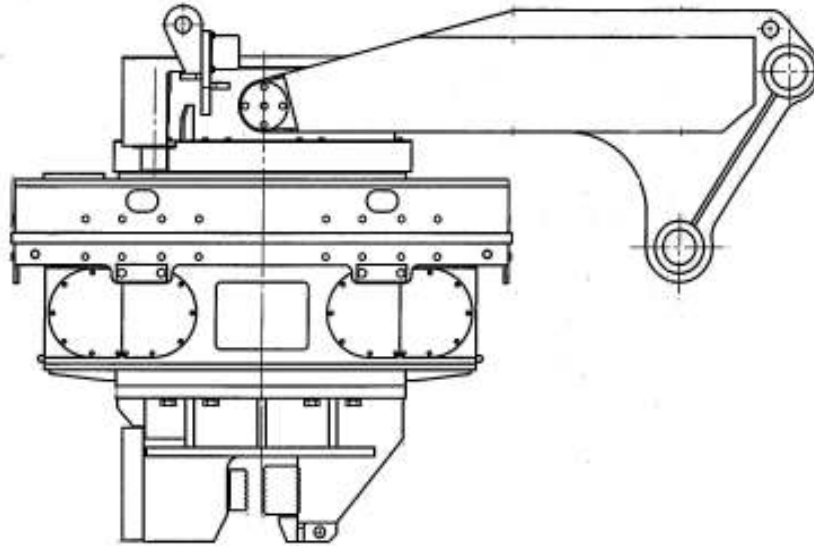


# Plant Technical Specification

## Chowa - CHV400



Description	Excavator Mounted Vibratory Pile Driver
Max Pile Length	Unlimited
Pile Type	Sheet and H pile sections
Hydraulic Pressure	Upto 30 MPa
Pile Gripping Force	52.2 kN
Centrifugal Force	328.8 kN
Eccentric Moment	73.8 Nm
Frequency	33.3 Hz
Maximum Line Pull Capacity	176.5 kN
Working Temperature	-10 to 50 °C
Total Weight (inc. extn. Arm)	6365 kg
Vibrating Weight	3220 kg
Transporting Weight	6620 kg
Amplitude During Idling	2.3 mm
Acceleration During Idling	10.3 g

For further information contact Dew Piling Ltd on 0161 665 5840