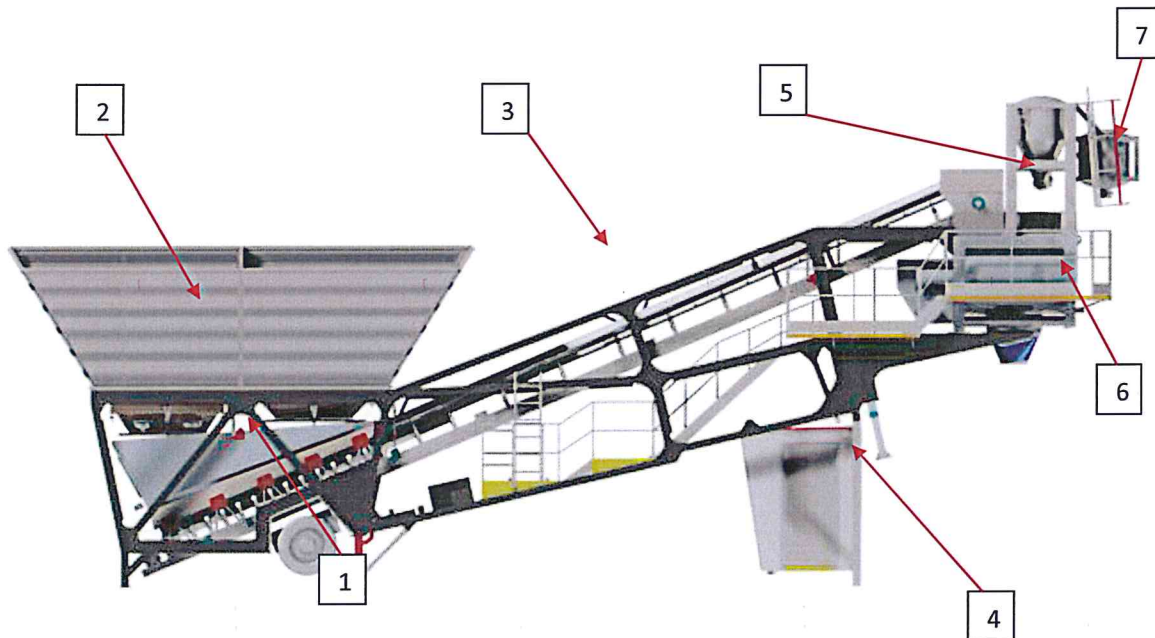


### 1.3 Main components of the plant



- 1) AGGREGATES WEIGHTING SCALE**
- 2) AGGREGATES STORAGE COMPARTMENTS**
- 3) AGGREGATE MATERIAL TRANSPORT BELT**
- 4) CONTROL CABIN**
- 5) CEMENT WEIGHTING SCALE**
- 6) CONCRETE MIXER**
- 7) WATER WEIGHTING SCALE**

Main Technical Characteristics	
<b>Hourly theoretical production</b>	90 m <sup>3</sup> /h
<b>Aggregates Storage Units</b>	4 X 12,5 = 50m <sup>3</sup>
<b>Aggregates Hoper with separate discharge door</b>	2 x 2 = 4
<b>Sand compartment</b>	2
<b>Aggregates Weighing System</b>	Single
<b>Control Cabin</b>	1550x2080 Air conditioned
<b>Main belt</b>	800x17.000 mm
<b>Mixer</b>	Double shaft 3750/2500
<b>Cement Screw Conveyor</b>	2 X $\Phi$ 219 X 12.000mm
<b>Cement Weighing System</b>	1.350 kg
<b>Water Weighing System</b>	System with Water meter
<b>Automatic Control</b>	Beton mind

**MIXER UNIT:**



▶ **Twin horizontal shaft Mixer 3750/2500, for Voyager 90,** with production capacity of 90m<sup>3</sup>/h, 3750lt ability of dry loading, 2500lt capacity in vibrated concrete. Also included is an automatic greaser, a 1,5 KW unloading hydraulic engine, two (2) 45Kw motors, surrounding visiting- working platform.

**TECHNICAL CHARACTERISTICS OF THE MIXER VOYAGER 60**

<b>DRY FILL CAPACITY</b>	<b>3750 LT</b>
<b>CONCRETE OUTPUT (FRESH)</b>	<b>3000 LT</b>
<b>CONCRETE OUTPUT PER CICLE (COMPACTED)</b>	<b>2500 LT</b>
<b>MIXING TIME – SECONDS</b>	<b>30 SEC WET BATCH</b>
	<b>60 SEC DRY BATCH</b>
<b>TOTAL CYCLE TIME (DISCHARGE TIME NOT INCLUDED )</b>	<b>90 SEC</b>
<b>DISCHARGE TIME – SECONDS</b>	<b>10 SEC WET BATCH</b>
	<b>12 SEC DRY BATCH</b>
<b>MAXIMUM AGGREGATE SIZE</b>	<b>0-180 MM</b>

---

<b>MIXING MOTORS</b>	<b>2X60 HP 2X45 KW</b>
<b>HYDRAULIC DISCHARGE MOTOR</b>	<b>2 HP 1,5 KW</b>
<b>NET WEIGHT</b>	<b>7.430 KG</b>
<b>ON OFF GATE TIMING</b>	<b>2.8 / 3.7 SEC</b>
<b>DIMENSIONS</b>	<b>LENGTH 3.505 MM</b>
	<b>WIDTH 2.320 MM</b>
	<b>HEIGHT 2.132 MM</b>

---

GROUP TEXNOKAT